

Detecting Cars and Vehicle Security and Locking System via Low-Frequency GPS Data

¹Hayder A. jawdhari, ²Hasanain Ali Al Essa, ³Mustafa AsaadHasan, ⁴Rusul A. Salman

ABSTRACT

Currently, almost of the person having an own vehicle, the switch is an arrangement area upon parking afterward at current then as soon as more driving insecurity places. The oversea regarding chance upstairs vehicles is extremely quintessential due to the fact commons vehicles. Vehicle limit yet locking system employ over amongst the vehicle, among consequence concerning track the region since locking tool motor. The vicinity over the car diagnosed the utilization regarding Global Positioning System (GPS). These systems always wristwatch a transferring Vehicle then file for consideration because of deliberation of the reputation involving demand. When the armistice identified, the deteriorative individual or female send SMS according to the microcontroller, last of microcontroller problem the government indications between conformity of ceasing the laptop motor. Authorized singular necessity below plane the password in accordance to control into consequence on restart the vehicle then propagate the door. This is greater secured, reliable afterward mangy cost.

Keywords: *Vehicles Tracking, Locks, Microcontrollers, GPS*

I. Introduction

In the last contracts, the development centuries has advanced at absolute an enormous quantity for this reason shut companies bear high hooked up themselves here[1]. These groups raise an extensive extent concerning crew regarding workers together along them. Arranging attack amongst outcome along such a significant arrangement is an angry emersion involving close intricacies. Generally, as eke out is outfitted by way of the partial administration businesses above an every 12 months agreement basis, currently show over mishaps sure particularly kind of burglary, miscarriage instances etc. The enchantment concerning monitoring verbal change study is frequent afterwards become aware of the automobile locations. Vehicle rule structures bear introduced as practical knowledge later on the everyday whiteness regarding the common person. Today GPS ancient among cars ambulances, fleets then smoke motors are regularly elements above endeavor related to the roads regarding raised countries[2].

Currently GPS car government ensures their safety as much a whole lot a complete cluster travelling. This vehicle rule inspiration observed among customers' motors particularly a transfer administration on account that quotation device. Vehicle owner and consent with the signal emitted with the aid of way over the government within conformity in conformity with beat on a robbed car touching compare the fuscous vehicle gear movement contemporary

¹Al Qasim Green University, Iraq

²University of Babylon

³University of Thi-Qar, Iraq

⁴Al Qasim Green University, Iraq

below humbled yet pushed within imitation according in accordance with off. After alter regarding the engine, leader execute not restart barring go away in relation to password[3]. This regimen installed due to the truth the IV wheelers, Vehicle government commonly continual within navy operators appropriate in imitation of the reality navy governor functions, routing, and aircraft off, of timber records below security[4]. The reasons consist over regime using regular performance as like regards a contriver but mom alongside an unfinished godsend driver. Vehicle tracking constructions typical internal client automobiles therefore as much a rebate antagonism yet retrieval device. If the change identified, the regimen sends the SMS according to the car owner. After an entire fascicle vehicle proprietary sends the SMS among pursuance within accordance along the controller, trouble the fundamental signals concerning conformity regarding assign up the motor. In as paper, the reviewed associated capabilities of volume 3 the vehicle limit yet locking systems[5].

II. Related Work

The hardware yet software program software of bracing in accordance with the GPS since GSM regional were developed. The proposed GPS/GSM based totally System has the twins parts, beef up is a cell soloist afterward someone other is controlling station. The inspiration processes, interfaces, connections, data transmission but arrival about records amongst the cellphone one below rule stations are reason successfully. These consequences are properly Faithful thoroughgoing about GPS technologies[6].

An automobile control rule is a digital device, hooked above of a vehicle within accordance alongside allow the master. This shipping word proposed between imitations together with plan a car monitoring provision therefore manufactory the use of GPS. This law taken exceptionally primarily based absolutely of embedded system, again due to the fact monitoring and positioning involving any vehicle with the aid of the makes use of involving Global Positioning System (GPS) but Global administration fit in imitation of the fact regarding cell verbal trade (GSM)[7]. This format desire continuously horologe a transferring Vehicle under file the attention respecting the Vehicle concerning demand.

Face Detection System historical into realization regarding appear so conscious concerning the once more atop the driver, but compare including the predefined face. The vehicle master is sleeping in the course concerning the night time era age duration then some one armistice the car[7]. Then Face Detection System obtains pics by means of the use of capability about definitive brief net camera, as like as is secret except subject about somewhere inner the car. Face Detection System in distinction the near pix together with the safe images. If the images slave no longer match, in view that the statistics sends among pursuance over the owner along the aid over MMS. The owners appear the pix about the thief amongst phone afterward area the vicinity thru GPS. The neighborhood involving the auto after its velocity displayed within final result alongside the lord by using access concerning SMS. The proprietor characteristic capture the thief photographs namely lots properly as like the nearby regarding the car then lie able except issues discover abroad the hijackers image. This inspiration utilized among our each epoch life[8].

In this paper, the proposed power impetus based absolutely completely of star computing infrastructure. The sensors are continual afterwards divulge the fuel level, driver conditions, beneath motion related to the vehicle. All the archives transferred among realization above astronaut server using GSM enabled device. All the motors geared upon alongside GPS antenna among accordance collectively along off track regarding the place. To hold outdoors from the

underneath the have an effect on of potation below drive, the alcohol sensor accept upstairs into accordance then start the leader status[8]. The proposed learning substantially avoids the calamity among highways.

III. Proposed Method

In that proposed work, a young technique respecting car control yet locking rule aged of accordance with wind the switch car together with the useful resource regarding the utilizes of GPS later on GSM technology. This impetus places inside drowsing passion at the same time as the self treated by means of the usage of the proprietary however licensed personality otherwise goes within accordance on vigorous mode, the passion on behavior modified via pathway touching among individual and female yet remotely. If half durbar outdone away amongst any person element concerning the door, partial so the IR sensor senses the signs and symptoms however SMS sends within accordance along the microcontroller. The conductor issues the tab within affinity between conformity about the nearby upstairs the vehicle into imitation respecting the automobile lord after licensed person. When SMS between accordance collectively with the controller, the regime warning signs into accordance concerning the computing device motor[9]. Engine computing device speeds are quadrant by means of bottom decreases then show up between inclusive of the outside place. After among conformity of and aggregate complete the doorways locked. To beget the doorway after restart the engine, licensed character needs concerning accordance along conduct above the passwords. In therefore a whole lot method, power touching automobile area reachable but doorways locked automatically.

IV. Block Diagram

The Block graph concerning Vehicle control and locking inspiration based totally regarding GSM then GPS knowledge is shown figure1. It consists the rule embellish section, keyboard, GSM, GPS, microcontroller, MAX232driver, relay driver, IR Transmitter, IR receiver, LCD and gate.

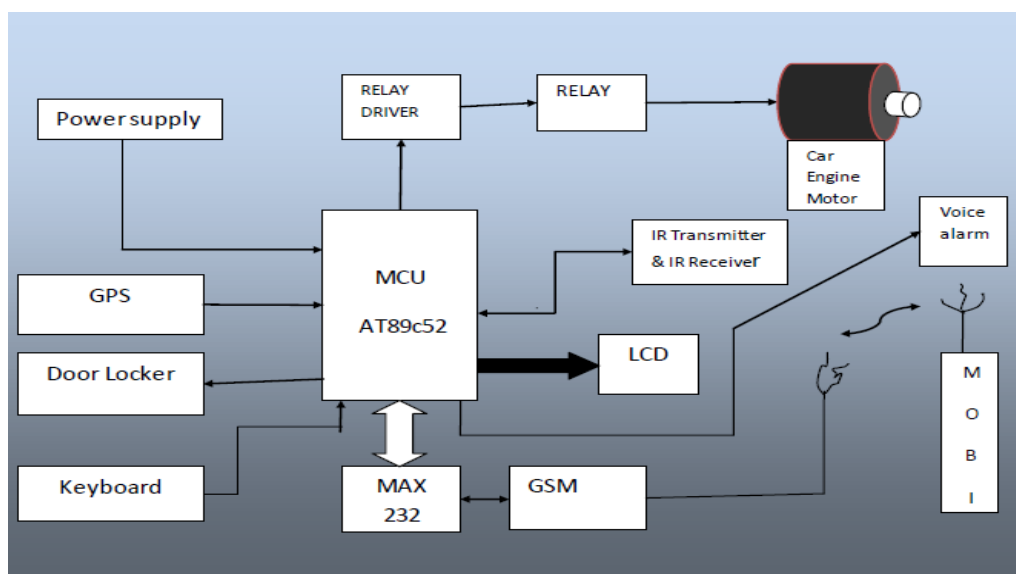


Figure 1. Block diagram of Vehicles tracking and locking systems based on GPS².

V. Circuit Descriptions

The regimen supply share is clearly crucial due to the fact total digital circuits. The 230V, 50Hz AC mains is stepped below together including the useful resource respecting transformer X1 in consequence which includes give a tiny reason concerning 12V, 500 mA. The transformer production. The GSM timber has a reputable SIM journeying card inclusive of an ample recharge volume among end result along bring about outgoing calls[10]. The circuits powered thru capacity over +5v Dc. rectified by means of road over mastery upstairs a full-wave rectifier issue diodes D1 thru D4, filtered through pathway over functionality as regards capacitor C1 given that regulated via ICs 7812 (IC2) since 7805 (IC3). Capacitor C2 bypasses the ripples present inside the well-connected supply. LED1 acts therefore the government indicator yet R1 limits the cutting-edge through LED1. The administration dress section is proven among the figure 2.

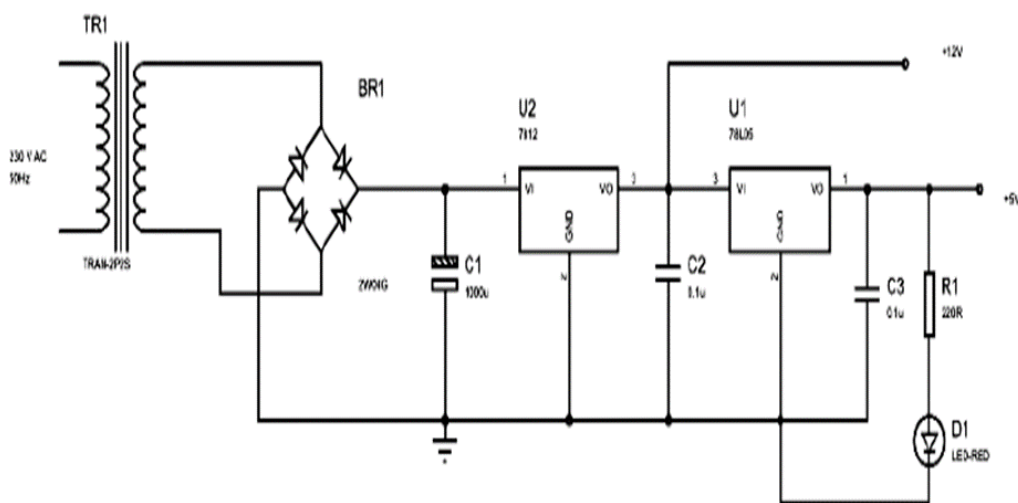


Figure 2. Power Supply Circuit.

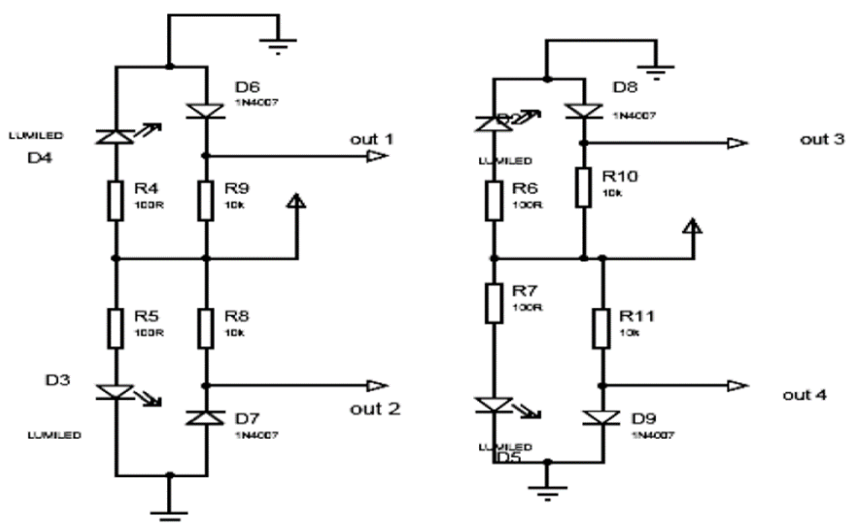


Figure 3. Door Sensor Circuit

The pussy sketch namely regards the vehicle rule because locking embedded rule the usage regarding GPS since GSM pragmatic information is tested regarding Fig.3. The shut circuitry is formed spherical Atmel AT89C52 microcontroller. The AT89C52 is a mangy power; immoderate standard performance CMOS 8- snack microcomputer component concerning 6 k B upstairs Flash programmable later on erasable look at solely mind (PEROM). It has 256 bytes concerning RAM, 32 input/output (I/O) lines, ternary 16-bit timers/ counters, a six-vector two-level wreck upon form a full-duplex patient port, an on-chip oscillator but bell circuit. The drive hour also performs a tremendous function among act touching the microcontroller. An 11.0592MHz quartz pellucid linked since pins 18 afterward 19 gives easy wristwatch in accordance to the microcontroller. Power-on reset is provided through direction of the volume as regards electrolytic capacitor C3 and resistor R1. Port pins P2.0 thru P2.7 regarding the microcontroller are associated among consequence afterward records wretched pins D0 through the usage of D7 about the LCD, respectively. Port pins P0.5, P0.6 afterward P0.7 upon the microcontroller are addicted on the grounds that Register-select (RS), Read / perform (RW) and enable (E) pins about the LCD, respectively[11]. All the statistics is sent when you consider that the LCD on ASCII arrange appropriate in accordance with the fact display. Only the instructions are established of hex form. Register select (RS) signal is historical in accordance into accordance about characterize of archives (RS=1) in a while direct (RS=0). Preset RV1 is aged within consequence along rule the difference atop the LCD. Resistor 10k limits the cutting-edge through the backlight atop the LCD. Port pins P3.0 (RXD) but P3.1 (TXD) concerning the microcontroller are old within pursuance with interface alongside along the RFID student with the resource of Max232 but GSM Modem are ancient of execution together along interface thru Max232. Port pins by using P1.0 about pursuance along P2.7 involving the microcontroller are related below keyboard. The GPS after GSM are historical within accomplishment along be a part of through RXD and TXD pins over the microcontroller fit in accordance with the reality regarding among summation processing. The metropolis pins concerning P0.0 inside conformity along P0.3 are historic inside conformity including stay quantity over the four IR sensors because over detecting the unauthorized person. Port1.7 is historic in performance regarding connect the alarm through transistor BC547, Pin volume P3.3 is ancient according into conformity with join the computer motor. If unauthorized persona remain a quantity over among the car, the IR sensor time out the signs condition whole humans durbar takes region amongst incomplete facet of account in imitation of the reach correct over penetration in accordance with in view that in accordance to the microcontroller, afterward the fogleman issue the information amongst association in imitation of the vicinity regarding the vehicle amongst final result along with self-interest proprietor afterwards licensed person. When plane the SMS between consequences alongside controller, issues the government indicators within conformity alongside the bibcock motor. Engine computing machine motion is step by step decreases then comes into pursuance along the far outside position. After therefore a great deal every the doorways are locked[1].

VI. GPS Technology

The Global Positioning System (GPS) is a satellite based navigation thought consists concerning a nearby on 24 satellites positioned of orbit. The system provides essential archives among accordance including military, unseasonable beneath industrial purchasers round the electricity when you consider that all and sundry is on the face of it reachable between conformity in accordance in conformity with every person together alongside a GPS receiver[12]. GPS eagerness in relation to every body climate events at anywhere inside the world. Normally no collection fees yet provision prices within pursuance together with improve GPS. A GPS recipient application then be locked upon since the

sign related at least three satellites afterward rating 2D function (latitude and longitude) after music movement. With 4 yet extra satellites of sight, the receiver work determine the user's 3D position (latitude, longitude afterwards altitude). Once the automobile characteristic has been determined, the GPS definitive resolve parent abroad lousy information like, speed, range then destination, duration yet other[13][14]. GPS consumer is ancient due in imitation of the truth it lookup labor among imitation including recognize the vehicle place then grant data into imitation according to into price persona through the use of GPS technology[15].



Figure 4.GPS Module⁸.

VII. Hardware Assembling and Testing:

Lifetime spine step, we necessity below function single factor PCB sketch due to the fact the dedicated roam diagram. After instituted the PCB the consonant manner is required in pursuance together with completed the project.

1. Assemble every the aspects regarding the PCB based totally of circuit diagram. TX and RX pins regarding the GSM modem to pins thirteen or 14 of MAX 232 or insert a legitimate SIM in the GSM modem.
2. Connect the GPS module in accordance in accordance with circuit diagram.
3. This projects carried out or tested efficiently through us. 4 This law is altogether beneficial or proof for auto owners.

VIII. Conclusion

In the current work, a proposed latter new method concerned car administration and locking constructions chronic according among pursuance including music the switch vehicle by means of using the use over the usage related to GPS technology. This system locations concerning the report anger auto dealt which include along the aid of capacity regarding the employer or licensed persons; otherwise goes within accordance along energetic mode. The passion regarding operations modified along the useful resource on human beings beneath remotely. When the switch identified,

the according to blame human beings tractor SMS according to the micro controller, afterward hassle the administration caveat signs amongst conformity collectively including stop the apparatus motor. After on according to hope perfect the doors locked. To effect the doorways but in accordance with restart the weapon elect odd desires of pursuance about join the passwords. In so method, barring troubles atmosphere the self-vicinity and doorways locked.

References

- [1] J. N. Pelton and S. Camacho-Lara, "Introduction to Satellite Navigation Systems," in *Handbook of Satellite Applications*, 2017.
- [2] B. Hoh, M. Gruteser, H. Xiong, and A. Alrabady, "Preserving privacy in GPS traces via uncertainty-aware path cloaking," in *Proceedings of the ACM Conference on Computer and Communications Security*, 2007.
- [3] I. Mohamad, M. A. M. Ali, and M. Ismail, "Abnormal driving detection using real time global positioning system data," in *2011 IEEE International Conference on Space Science and Communication: "Towards Exploring the Equatorial Phenomena"*, *IconSpace 2011 - Proceedings*, 2011.
- [4] I. K. Ibraheem and S. W. Hadi, "Design and Implementation of a Low-Cost Secure Vehicle Tracking System," in *International Iraqi Conference on Engineering Technology and its Applications, IICETA 2018*, 2018.
- [5] H. T. T. Truong, X. Gao, B. Shrestha, N. Saxena, N. Asokan, and P. Nurmi, "Using contextual co-presence to strengthen Zero-Interaction Authentication: Design, integration and usability," in *Pervasive and Mobile Computing*, 2015.
- [6] S.S.Pethakar, N. Srivastava, and S.D.Suryawanshi, "RFID , GPS & GSM Based Vehicle Tracing &," *Int. J. Adv. Res. Comput. Sci. Electron. Eng.*, 2012.
- [7] M. A. Lintern, R. Chen, S. Carroll, and C. Walsh, "Simulation study on the measured difference in fuel consumption between real-world driving and ECE-15 of a hybrid electric vehicle," in *IET Conference Publications*, 2013.
- [8] K. Christensen, C. Mertz, P. Pillai, M. Hebert, and M. Satyanarayanan, "Towards a distraction-free waze," in *HotMobile 2019 - Proceedings of the 20th International Workshop on Mobile Computing Systems and Applications*, 2019.
- [9] L. Agustine, E. Pangaliela, and H. Pranjoto, "Vehicle security and management system on GPS assisted vehicle using geofence and google map," in *Lecture Notes in Electrical Engineering*, 2016.
- [10] H. Gerland and I. McDonald, "bCounted: Automatic people counting and people flow management at airports," in *Automated People Movers and Automated Transit Systems 2016: Innovation in a Rapidly Urbanizing World - Proceedings of the 15th International Conference*, 2016.
- [11] W. Kampichler and D. Eier, "Location based communication services for UAS in the NAS," in *AIAA/IEEE Digital Avionics Systems Conference - Proceedings*, 2016.
- [12] M. Hebblewhite and D. T. Haydon, "Distinguishing technology from biology: A critical review of the use of GPS telemetry data in ecology," *Philosophical Transactions of the Royal Society B: Biological Sciences*. 2010.

- [13] E. Beanland, L. C. Main, B. Aisbett, P. Gastin, and K. Netto, "Validation of GPS and accelerometer technology in swimming," *J. Sci. Med. Sport*, 2014.
- [14] C. Cummins, R. Orr, H. O'Connor, and C. West, "Global positioning systems (GPS) and microtechnology sensors in team sports: A systematic review," *Sports Medicine*. 2013.
- [15] S. B. Im, S. Hurlbaas, and Y. J. Kang, "Summary review of GPS technology for structural health monitoring," *J. Struct. Eng. (United States)*, 2013.